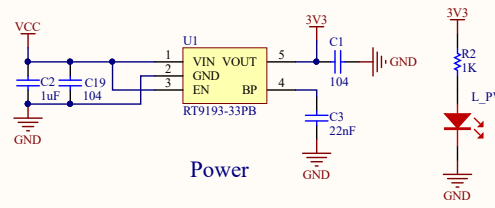
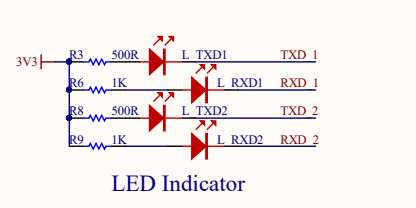


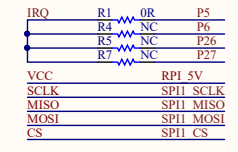
Interface



Power

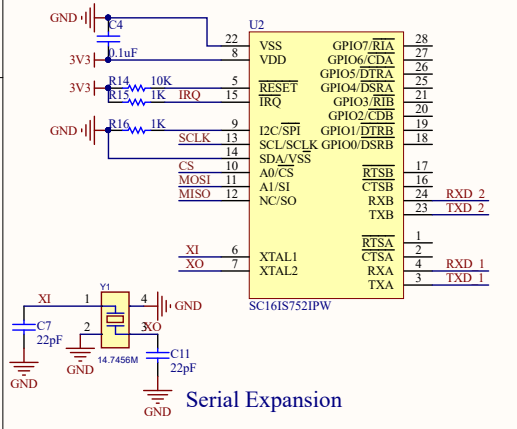


LED Indicator

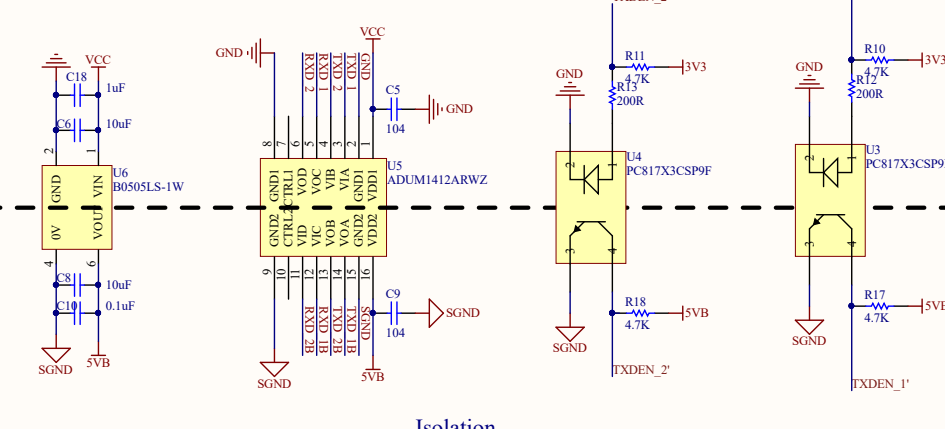


A

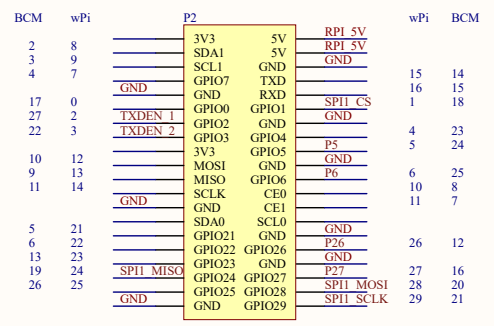
A



Serial Expansion



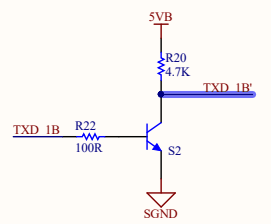
Isolation



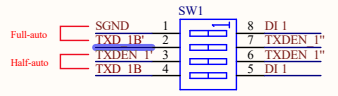
Raspberry Interface

B

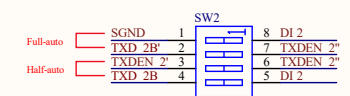
B



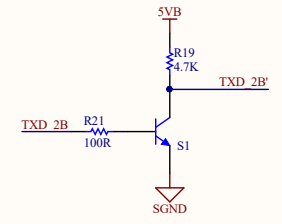
Channel 1 Mode Selection



2-CH RS485 HAT

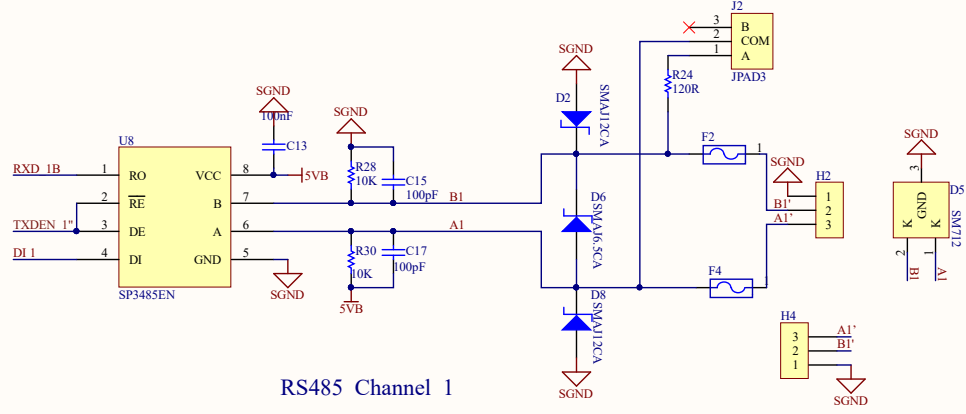


channel 2 Mode Selection

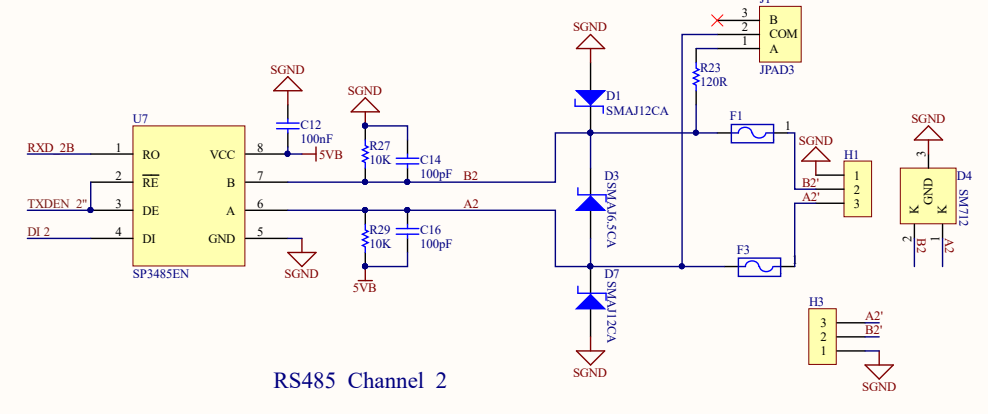


C

C



RS485 Channel 1



RS485 Channel 2

D

D

