

1

2

3

4

A

A

B

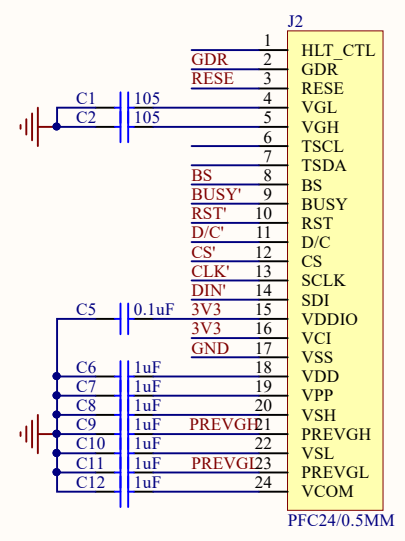
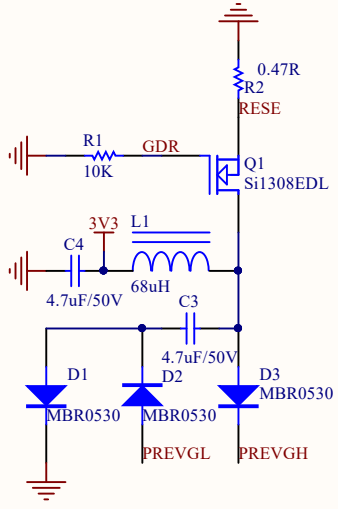
B

C

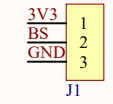
C

D

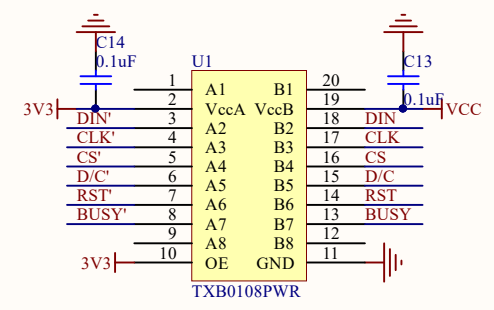
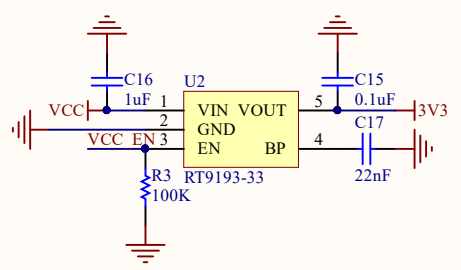
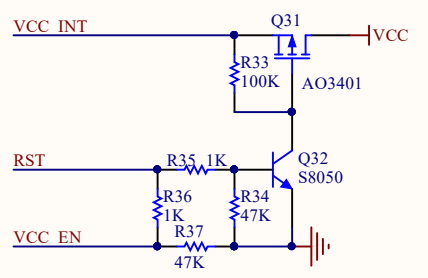
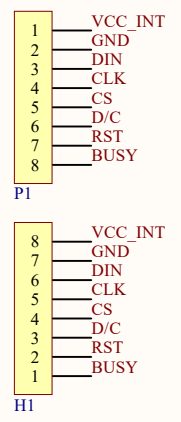
D



	VCC	GND
BS	3-line SPI	4-line SPI



### 5.65inch e-Paper Module



1

2

3

4

138.50

100.50

02.1

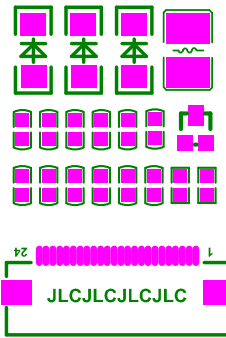
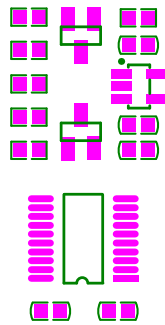
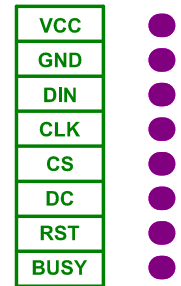
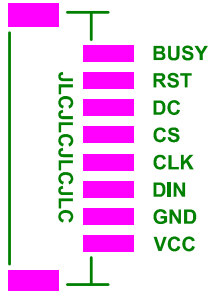
2.50



# 5.65inch e-Paper Module (F)

## 7-Color ACeP Display

### 600×448 Pixels



BS

1 0

BS	Interface
1	3-line SPI
0	4-line SPI

Unit: mm