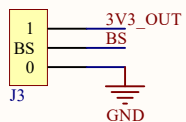
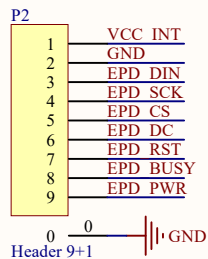
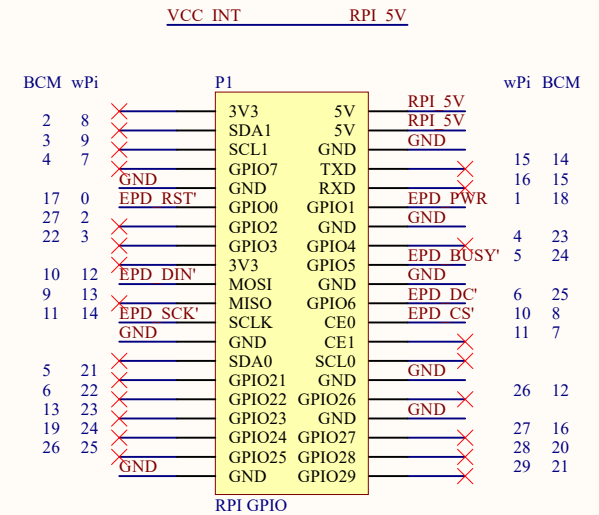
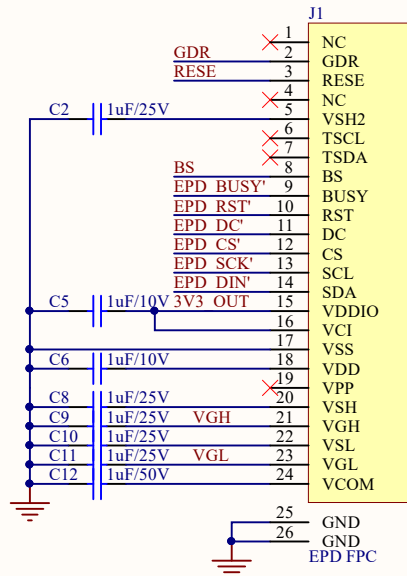
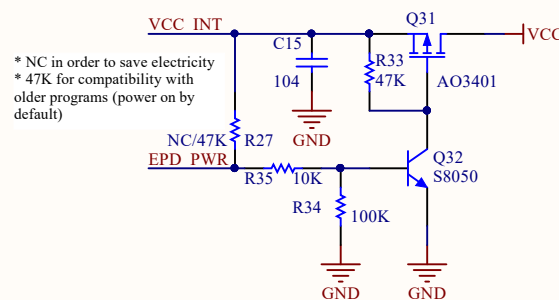
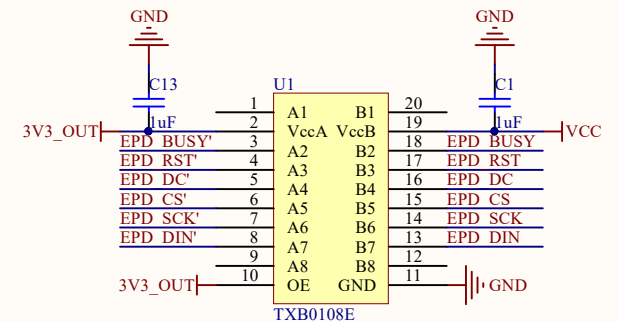
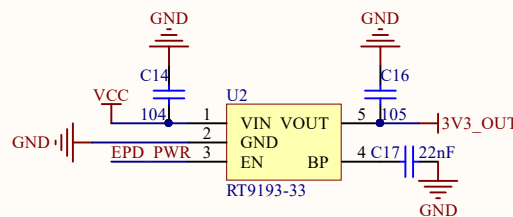


A (R2)	B (R1)
3R	0.47R



BS	VCC	GND
Interface	3-line SPI	4-line SPI



\* NC in order to save electricity  
\* 47K for compatibility with older programs (power on by default)

W aveshare  
Rev2.3  
e-Paper Driver HAT

