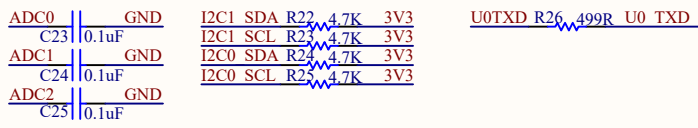
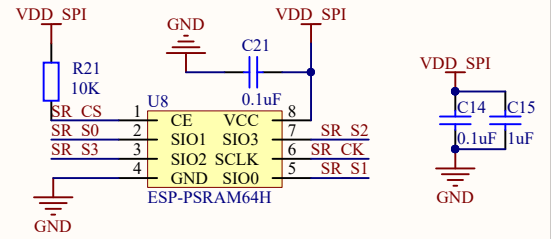
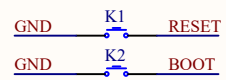
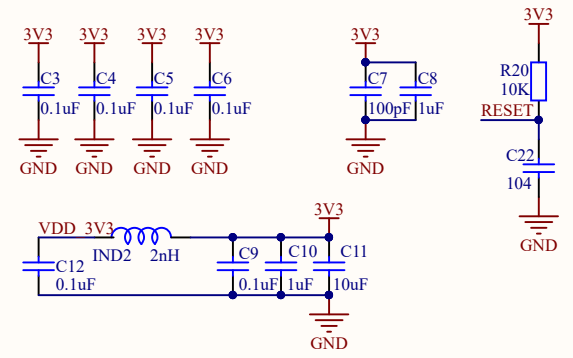


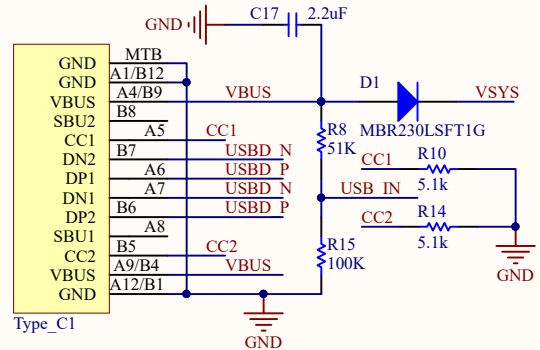
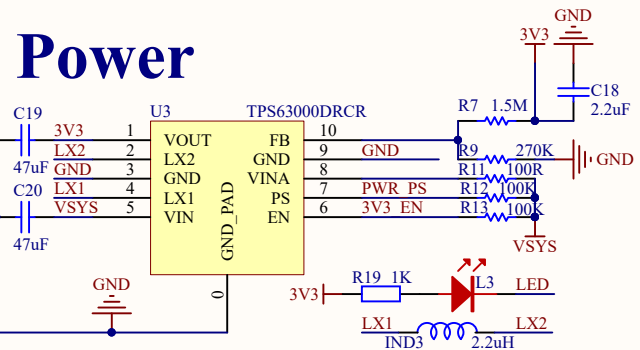
GP0	BOOT
GP1	USB_IN
GP2	UITXD
GP3	UIRXD
GP4	GPIO4
GP5	GPIO5
GP6	ADC0
GP7	ADC1
GP8	ADC2
GP9	LED
GP10	SPI1_CLK
GP11	SPI1_MOSI
GP12	SPI1_MISO
GP13	SPI1_CS
GP14	I2C1_SDA
GP15	I2C1_SCL
GP16	GPIO16
GP17	GPIO17
SPICS1	SR_CS
SPIHD	SR_S2
SPIWP	SR_S3
SPICLK	SR_CK
SPIQ	SR_S0
SPIID	SR_S1
GP33	PWR_PS
GP34	GPIO34
GP35	GPIO35
GP36	GPIO36
GP37	GPIO37
GP38	GPIO38
MTCK	GPIO39
MTDD	I2C0_SDA
MTDI	I2C0_SCL
MTMS	GPIO42
GP43	U0TXD
GP44	U0RXD



UITXD	1	40	VBUS
UIRXD	2	39	VSYS
GND	3	38	GND
GPIO4	4	37	3V3_EN
GPIO5	5	36	3V3
U0_TXD	6	35	ADC2
U0RXD	7	34	GND
GND	8	33	ADC1
I2C1_SDA	9	32	ADC0
I2C1_SCL	10	31	RESET
GPIO16	11	30	GPIO42
GPIO17	12	29	GND
GND	13	28	I2C0_SCL
SPI1_CLK	14	27	I2C0_SDA
SPI1_MOSI	15	26	GPIO39
SPI1_MISO	16	25	GPIO38
SPI1_CS	17	24	GND
GND	18	23	GPIO37
GPIO34	19	22	GPIO36
GPIO35	20	21	

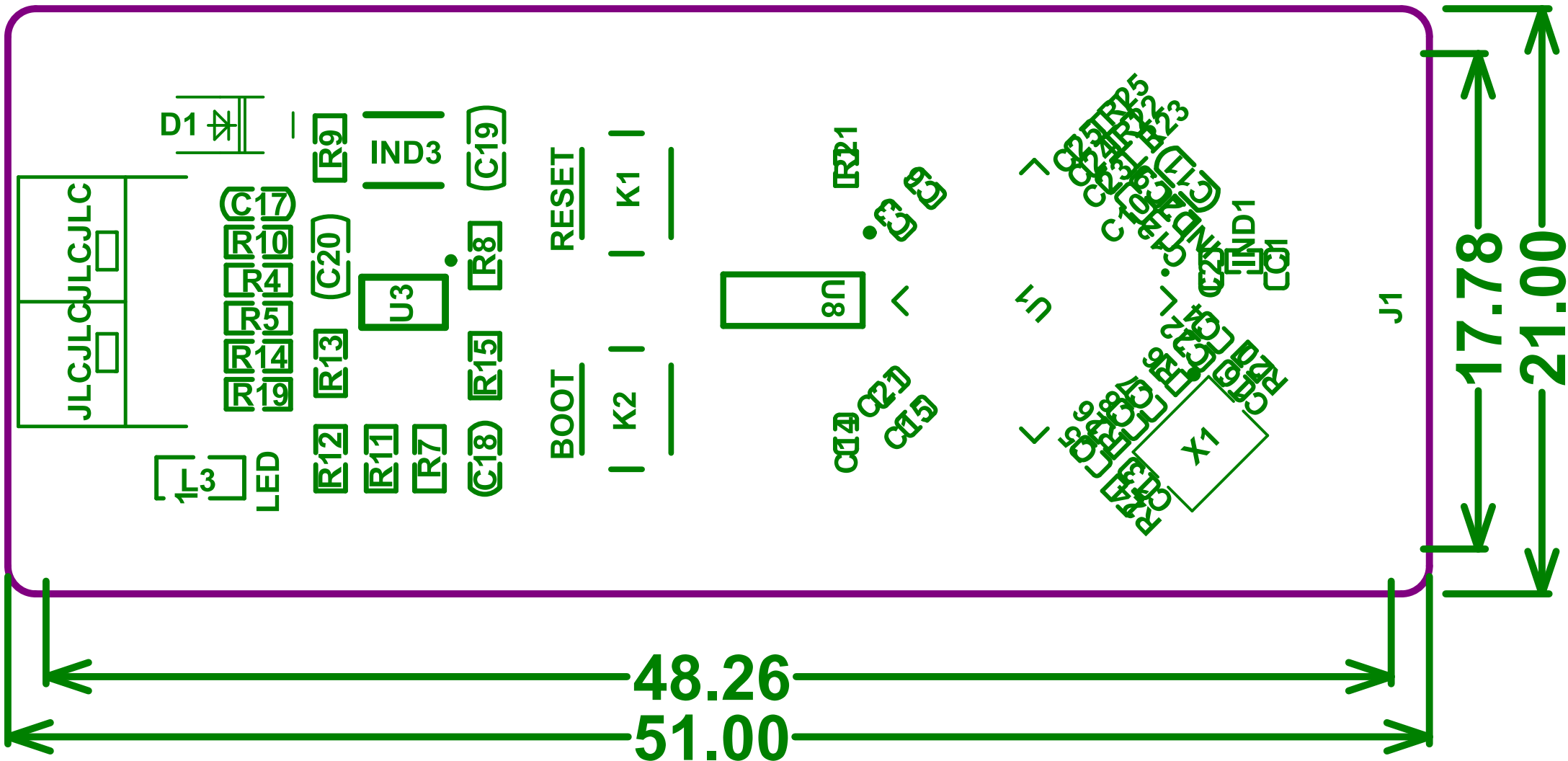
### 40Pin Interface

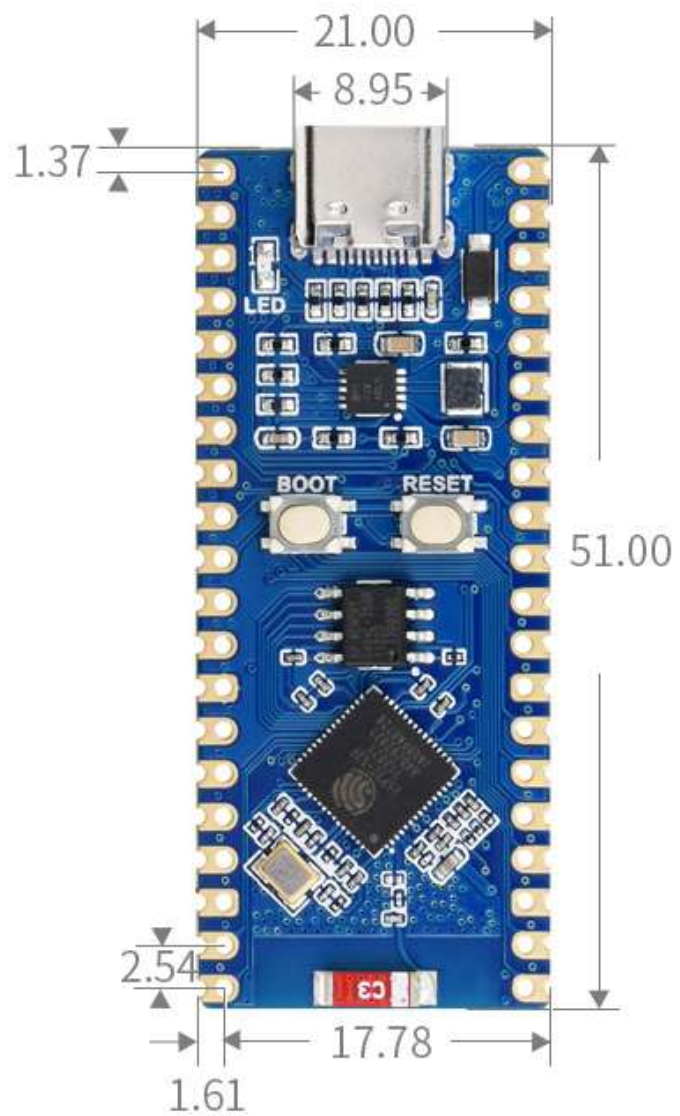
### Power



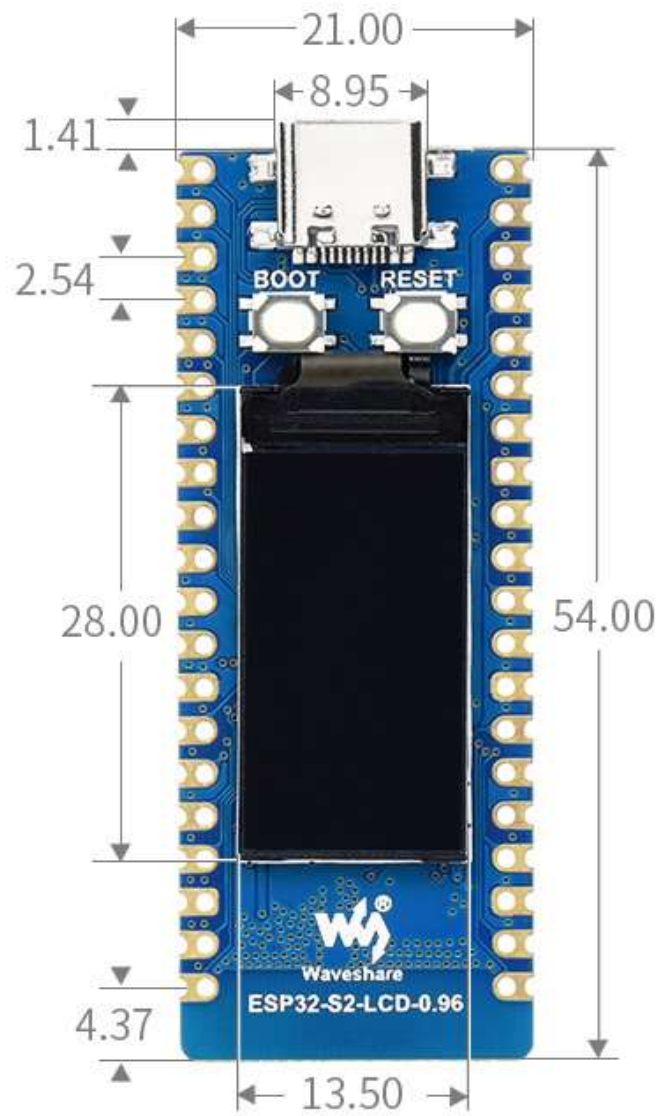
2.54

Unit:mm





▲ ESP32-S2 普通版



▲ ESP32-S2 LCD 版

Unit: mm