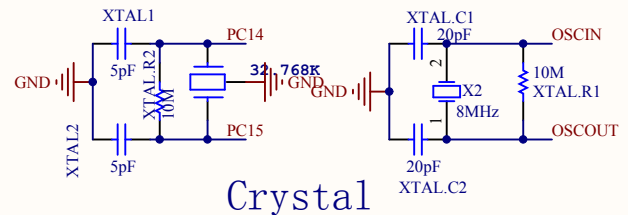
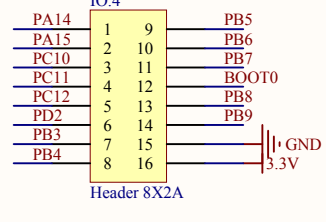
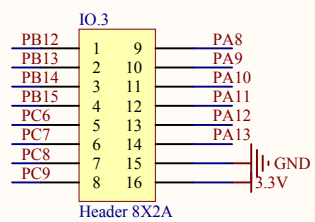
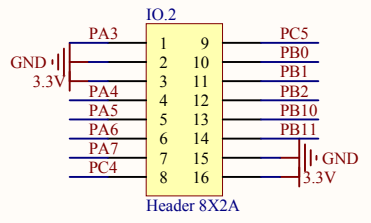
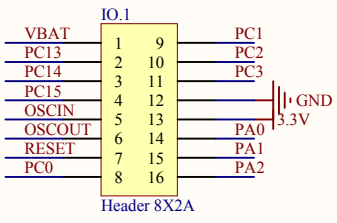
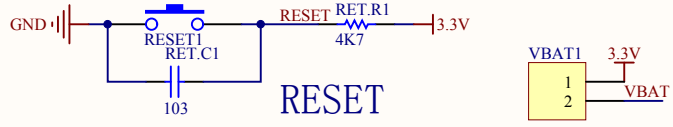
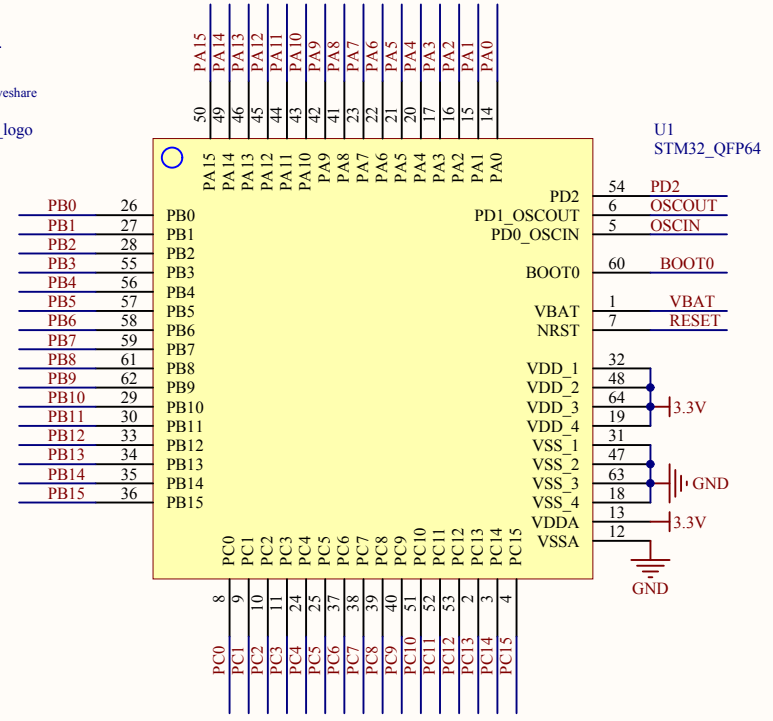
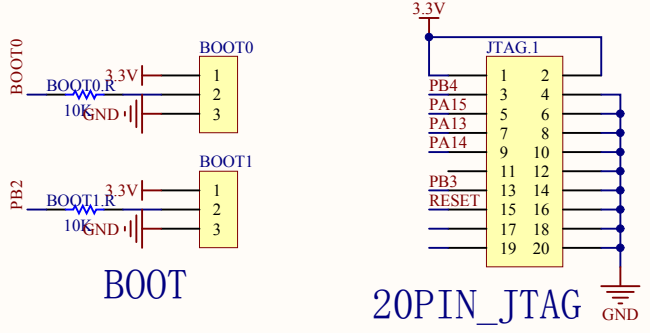
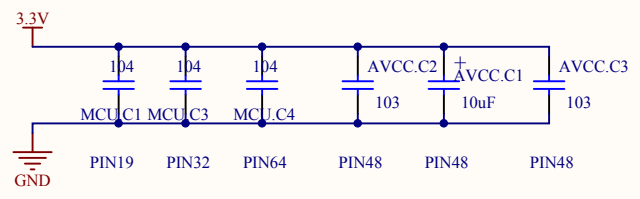
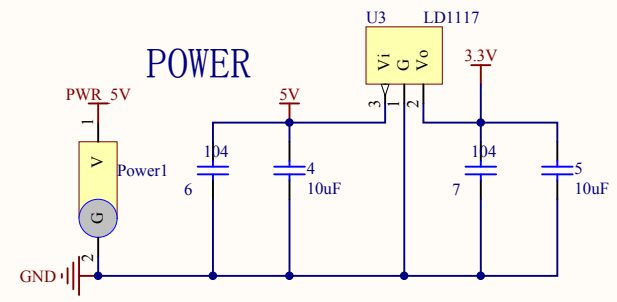
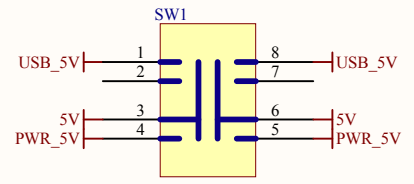
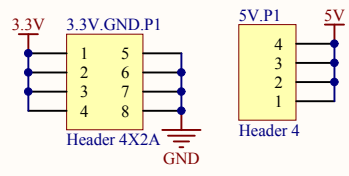


Title		
Size A4	Number	Revision
Date:	2015/3/19	Sheet of
File:	E:\temp\Open103R\interface.SchDoc	Drawn By:



Title		
Size	Number	Revision
A4		
Date:	2015/3/19	Sheet of
File:	E:\temp\Open103R\MCU_system.SchDoc	Drawn By:



Title		
Size A4	Number	Revision
Date:	2015/3/19	Sheet of
File:	E:\temp\Open103R\power.SchDoc	Drawn By: