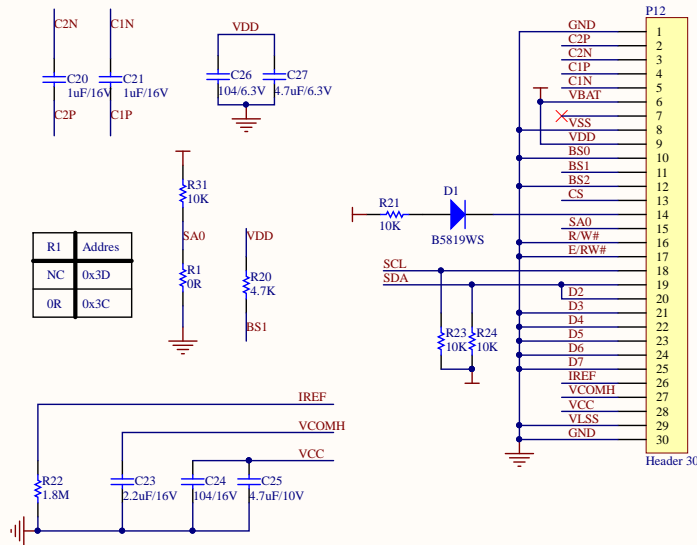
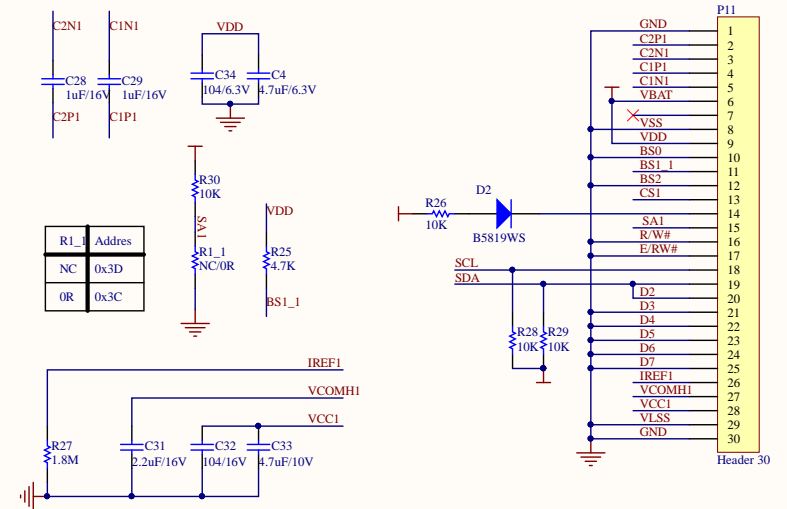


Header 20X2

40pin connector



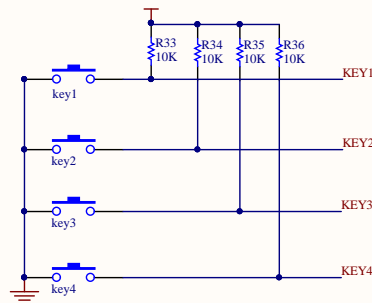
0.96OLED 0X3C



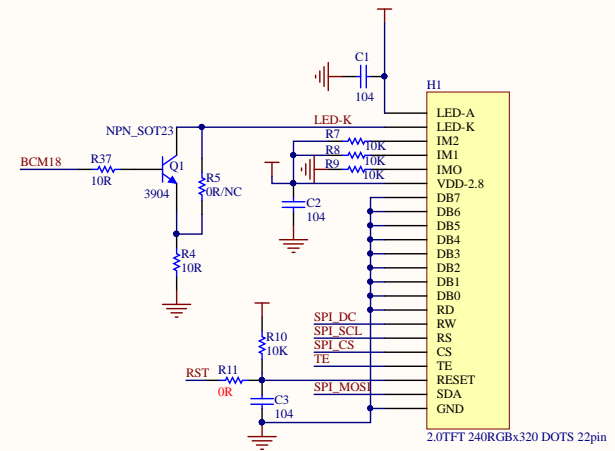
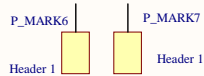
0.96OLED 0X3D



LOGO



Switch



2.0 TFT LCD