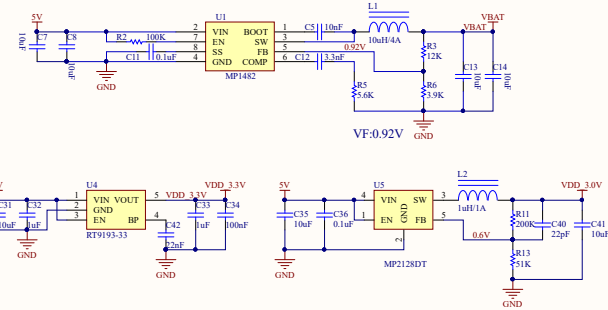
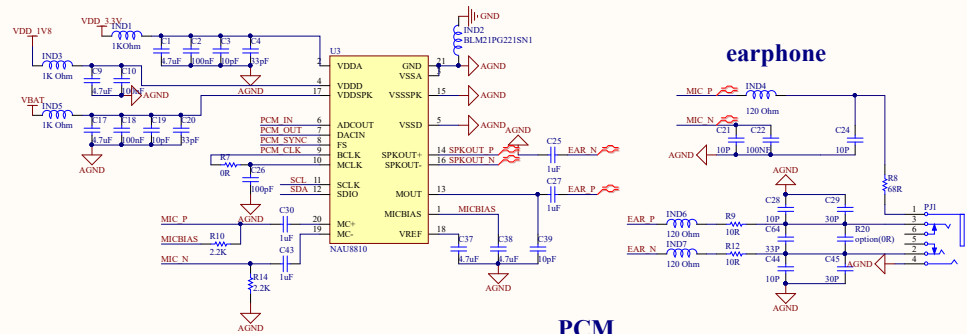


USB to UART



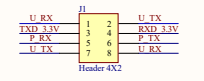
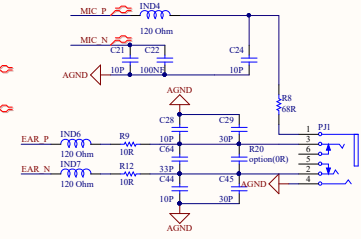
Power



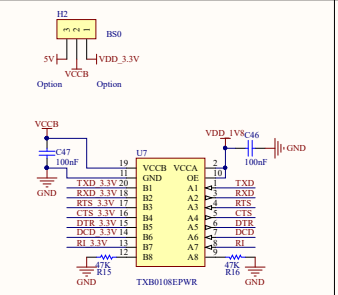
PCM

音频ic需要使用3电源, 否则干扰太大.

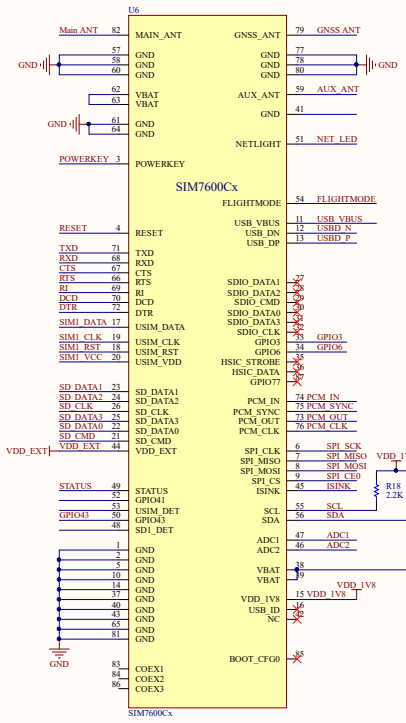
earphone



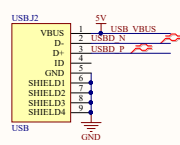
UART JMP



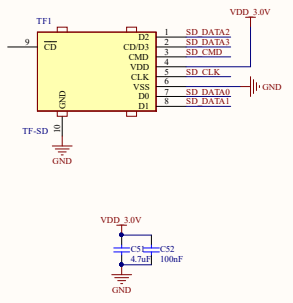
UART



SIM7600Cx



USB



SD_CARD

Indicator light



NET

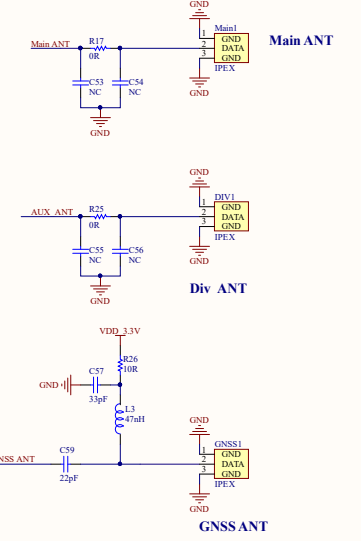
PWR



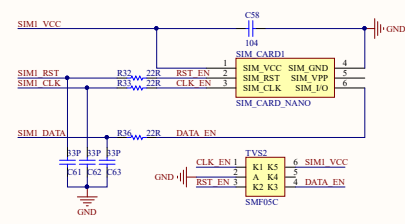
KEY

按下开机

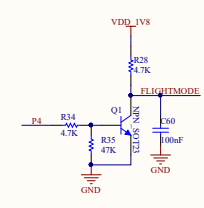
Antenna



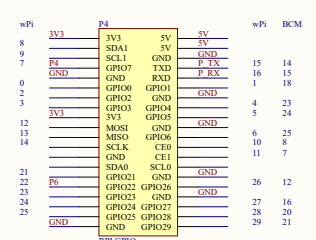
GNSS ANT



SIM_CARD



Flight mode



Raspberry Interface



SIM7600X 4G HAT