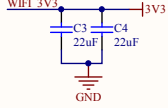


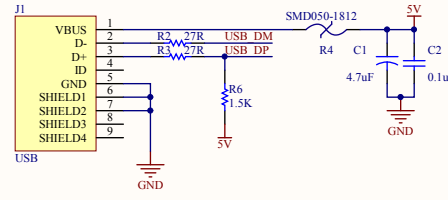


EMW3162

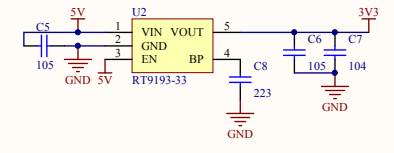
P1	U1	P2
15	I2C_SCL 1	30 STATUS 1
14	I2C_SDA 2	29 ADC_PA0 2
13	SWDIO 3	28 SWCLK 3
12	PWM_PC7 4	27 SWDIO 4
11	WPS 5	26 BOOT0 5
10	SPI_CS 6	25 GND 6
9	SPI_CLK 7	24 WIFI_3V3 7
8	SPI_MISO 8	VCC 8
7	SPI_MOSI 9	JTDO/SPL_SCK 23 WIFI_RX 9
6	PWM_PB8 10	NTRST/SPL_MISO 22 WIFI_TX 10
5	EASYLINK 11	SPI_MOSI 21 WIFI_CTS 11
4	ADC_PC2 12	PB8/PWM 20 WIFI_RTS 12
3	PWM_PB14 13	EASYLINK 19 PWM_PB11 13
2	PWM_PC6 14	PC2/ADC 18 PWM_PA15 14
1	GND 15	PC6/PWM/USART6_TX 17 nRESET 15
		16 BOOT 16



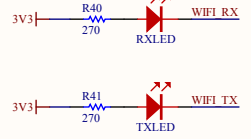
USB Power



5V to 3.3V



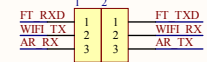
WIFI UART LED



Programming Interface



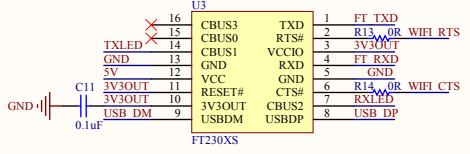
Configuration Interface



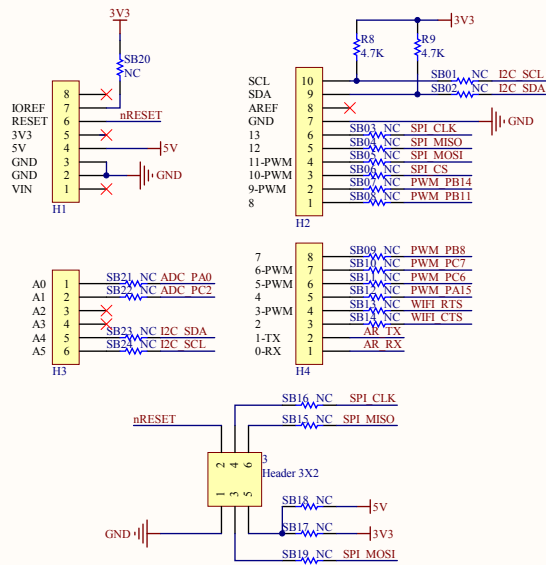
Power LED



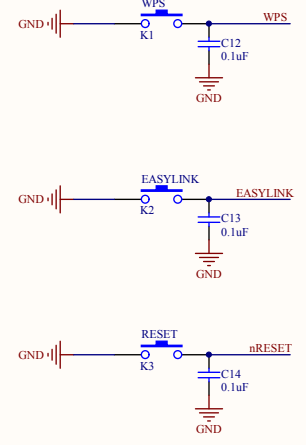
USB to UART



Arduino Interface



WIFI Button



State switch

