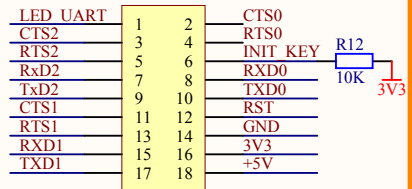
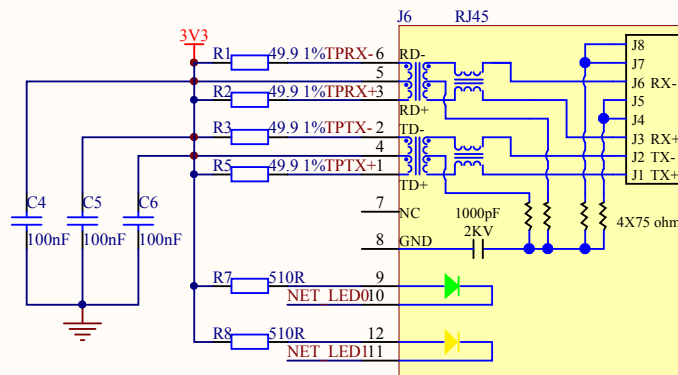
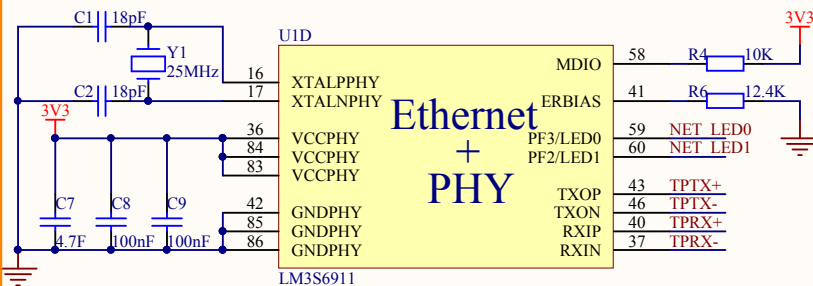


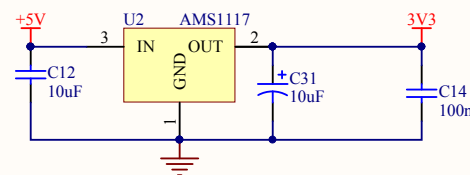
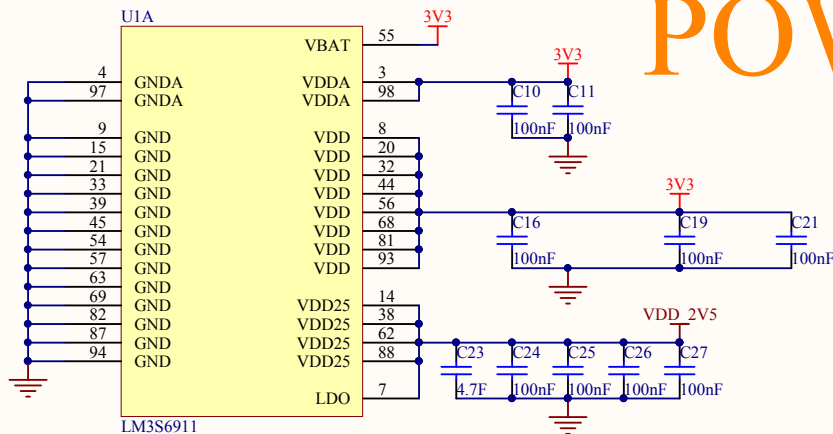
# EXT



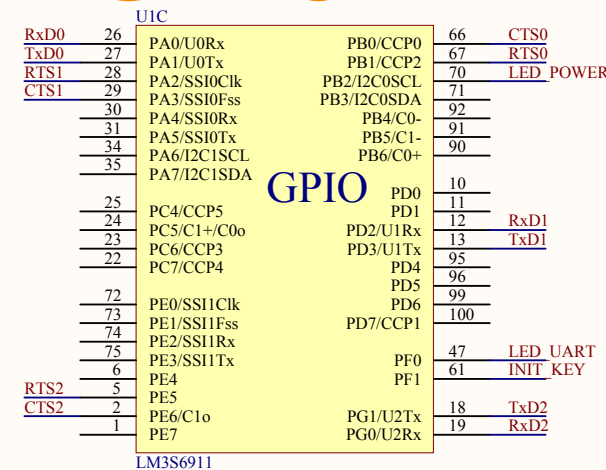
# PHY&RJ45



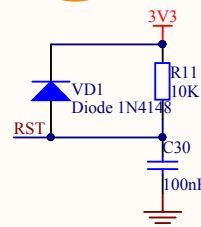
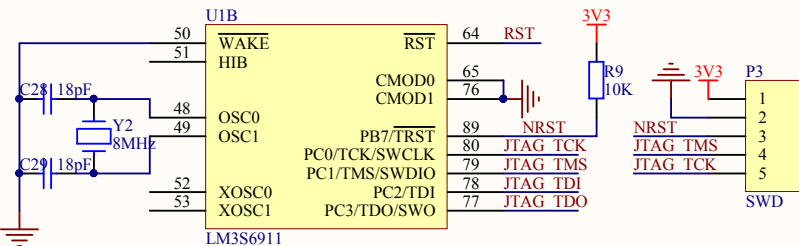
# POWER



# GPIO



# DEBUG



Title		
Size	Number	Revision
A4		
Date:	2015/2/4	Sheet of
File:	\\.\UART ETH E001.sch	Drawn By: