

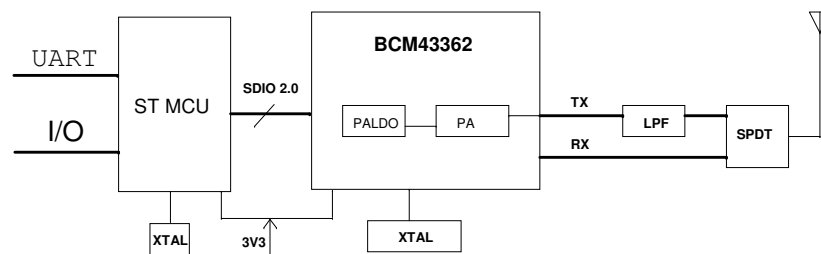
Foxconn-T77H497.00

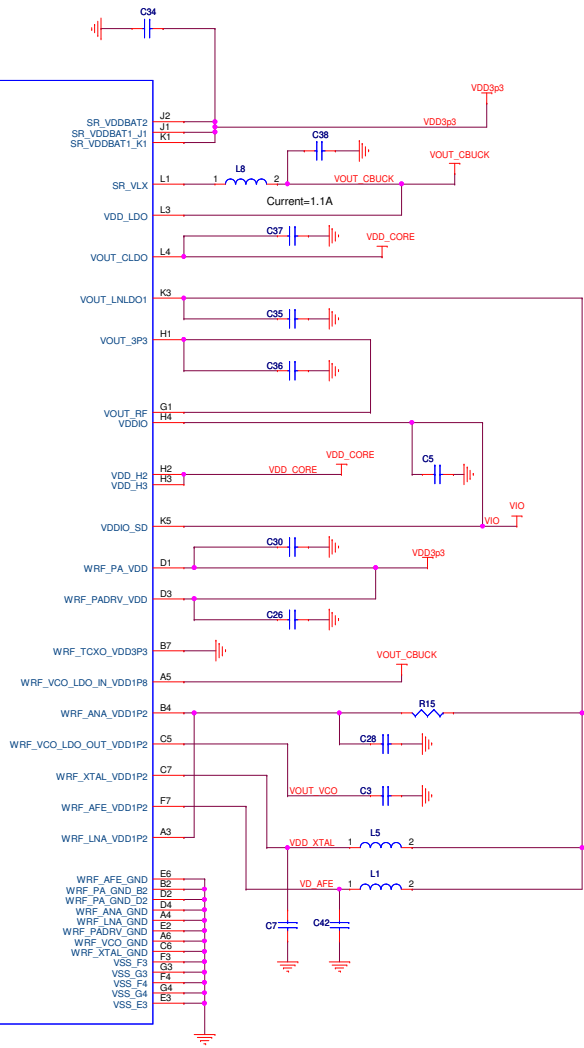
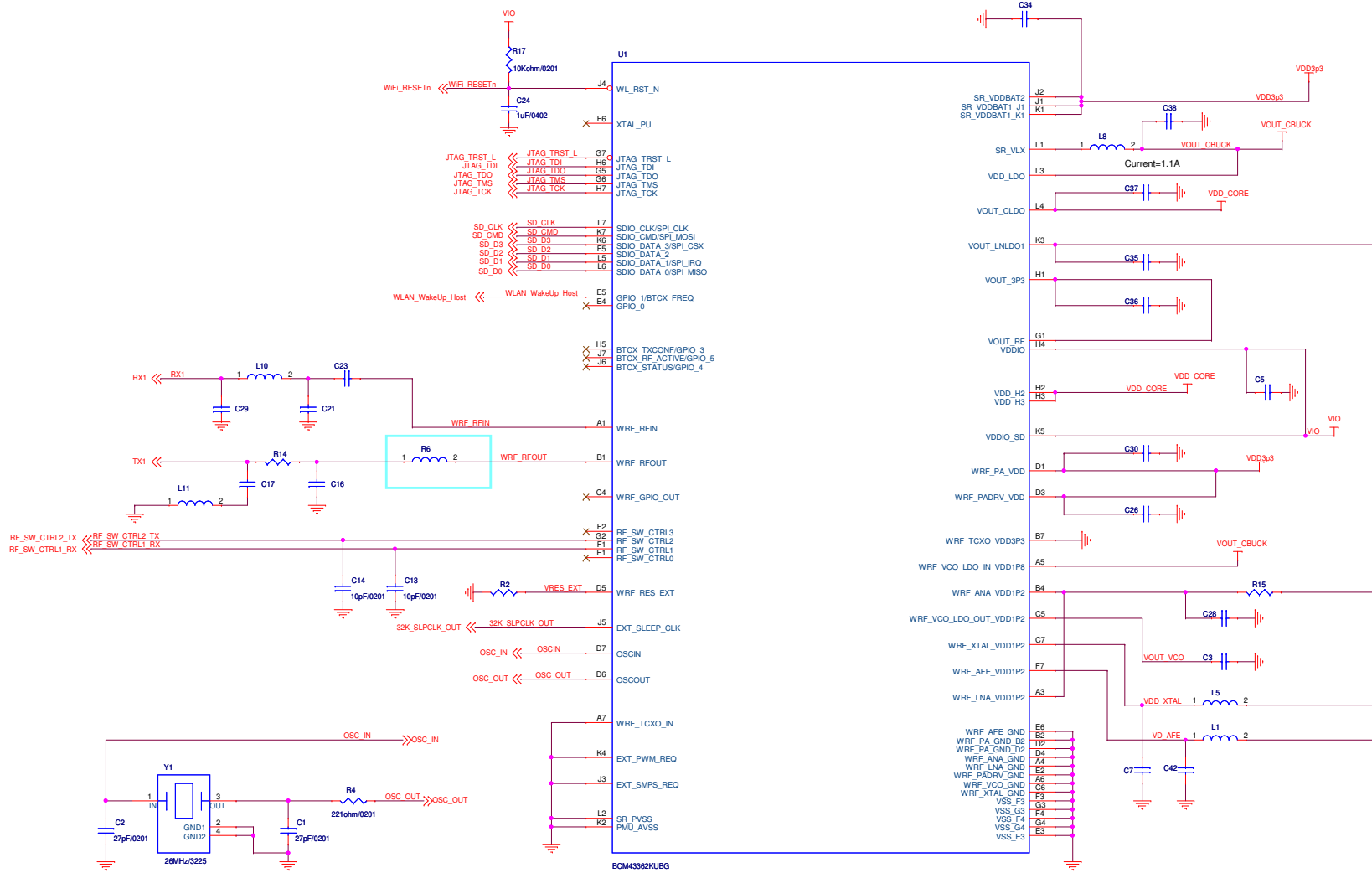
M2M Module with 802.11b/g/n WiFi

Revision History

Rev	Date	Description	Author
005			
015	2013/5/14	1.change U1 GPIO_0 to floating	Gary
015	2013/5/30	1.delete U7 2.add PC0 and PC1 to host, delete RF0/RF1 3.change U5 to LQFN64 package 4.add 32.768K crystal for sleep clock 5.Change U5.PA2 netname to PA2_TX2 Change net[PowerDown] from PA2 to PC1	Gary

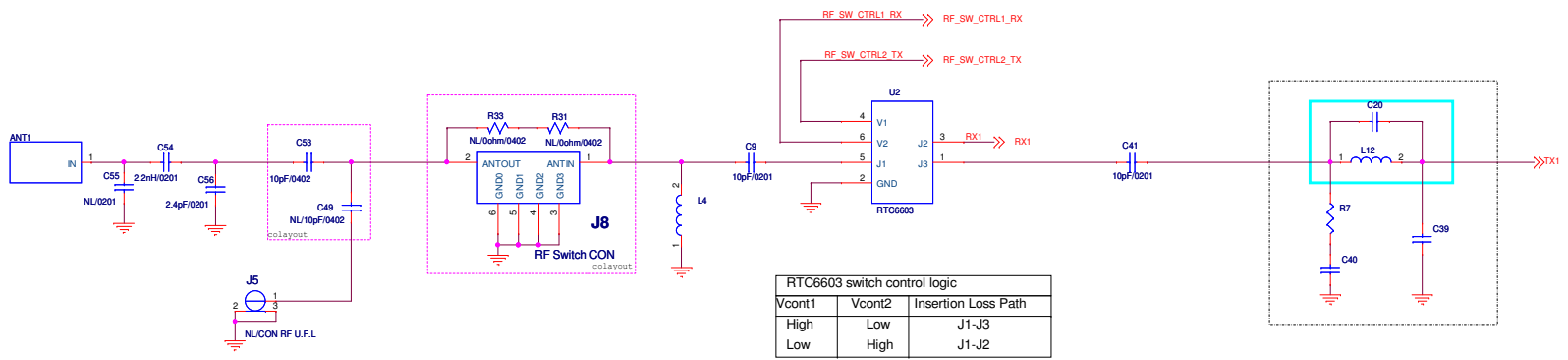
Block Diagram





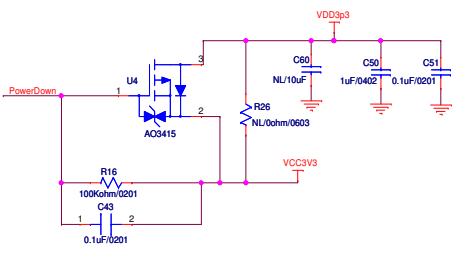
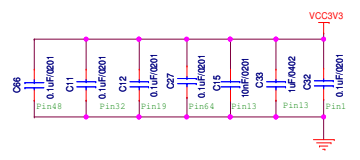
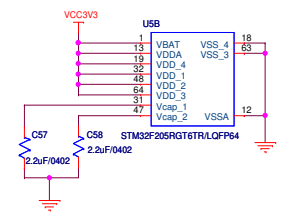
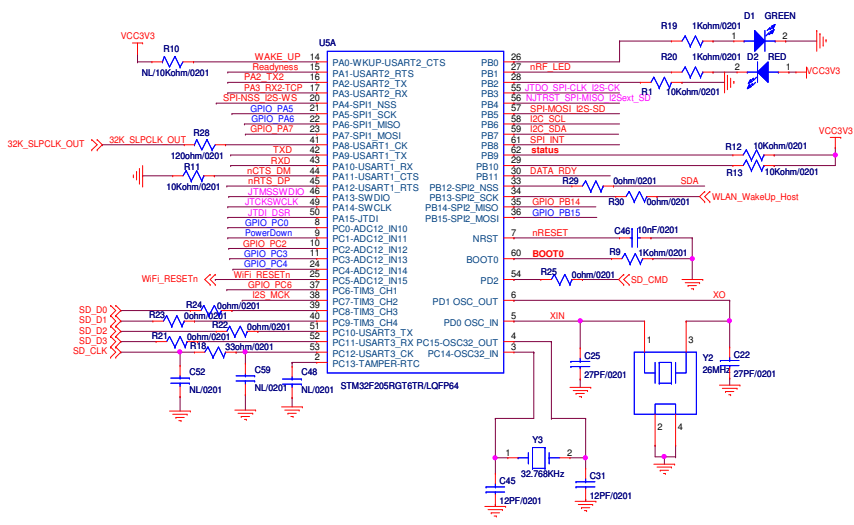
Debug test point



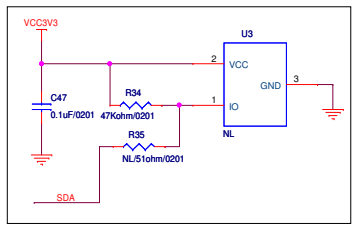


RTC6603 switch control logic

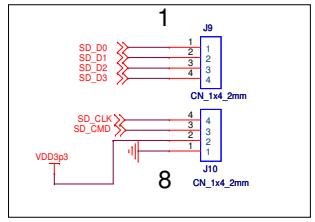
Vcont1	Vcont2	Insertion Loss Path
High	Low	J1-J3
Low	High	J1-J2



Reserve

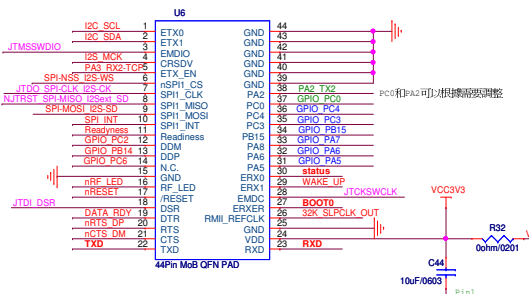


SDIO Test Connector



JTAG

- PA13- JTMSSWDIO
- PA14- JTCKSWCLK
- PA15- JTDI
- PB3- JTDO
- PB4- NJTRST



FIDUCIAL MARK



FIDUCIAL-MARK-TOP16L-450

FIDUCIAL MARK



FIDUCIAL-MARK-TOP15L-450

FIDUCIAL MARK



FIDUCIAL-MARK-TOP10R-450

FIDUCIAL MARK



FIDUCIAL-MARK-TOP15R-450

CAVITY_NUMBER-PAD



SHIELDING



W15



FOXCONN		
Title	STM32F	
Size	Document Number	Rev
C	T77H497.00 M2M Module	1.0
Date	Thursday, June 06, 2013	Sheet 3 of 3