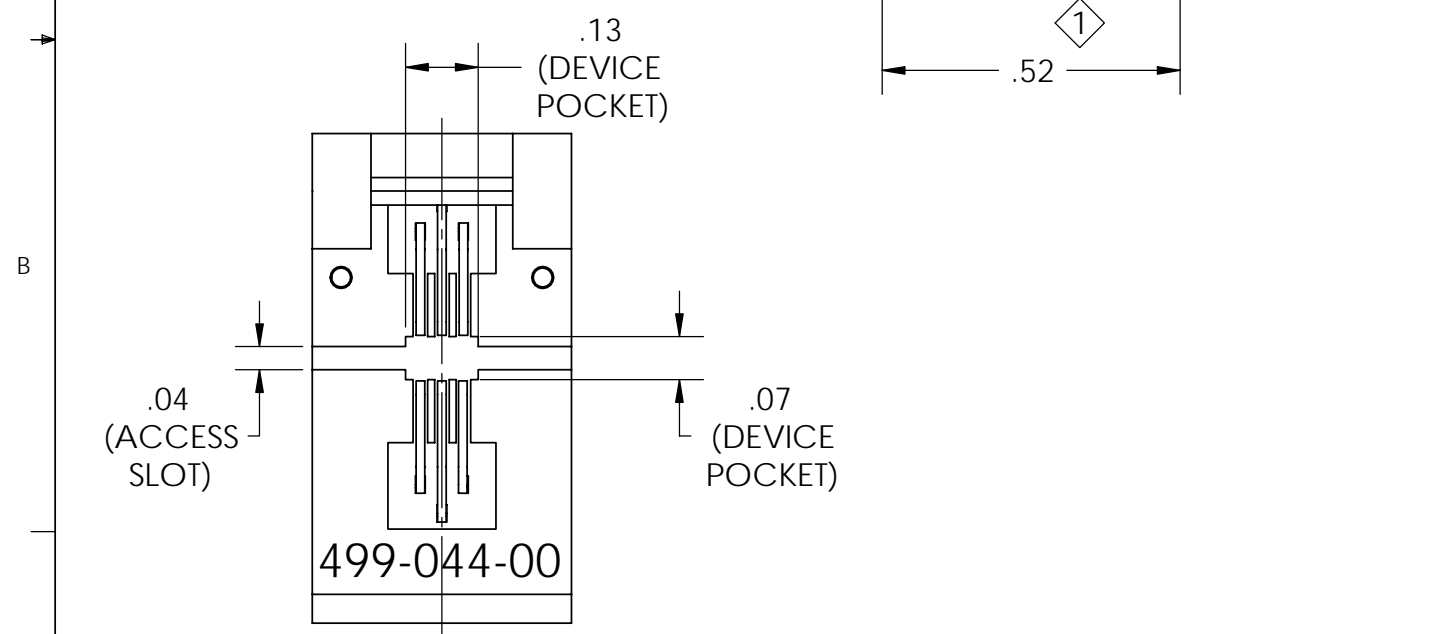
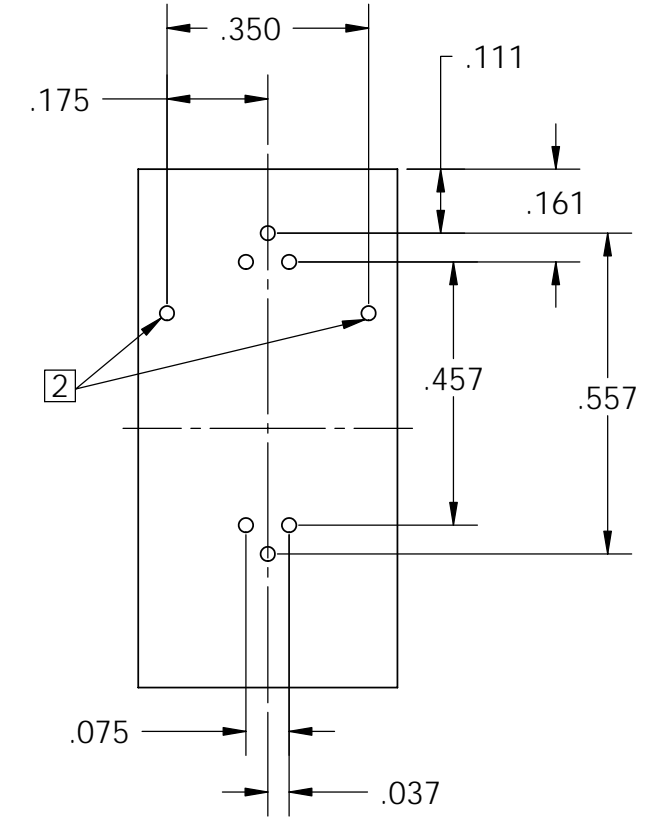
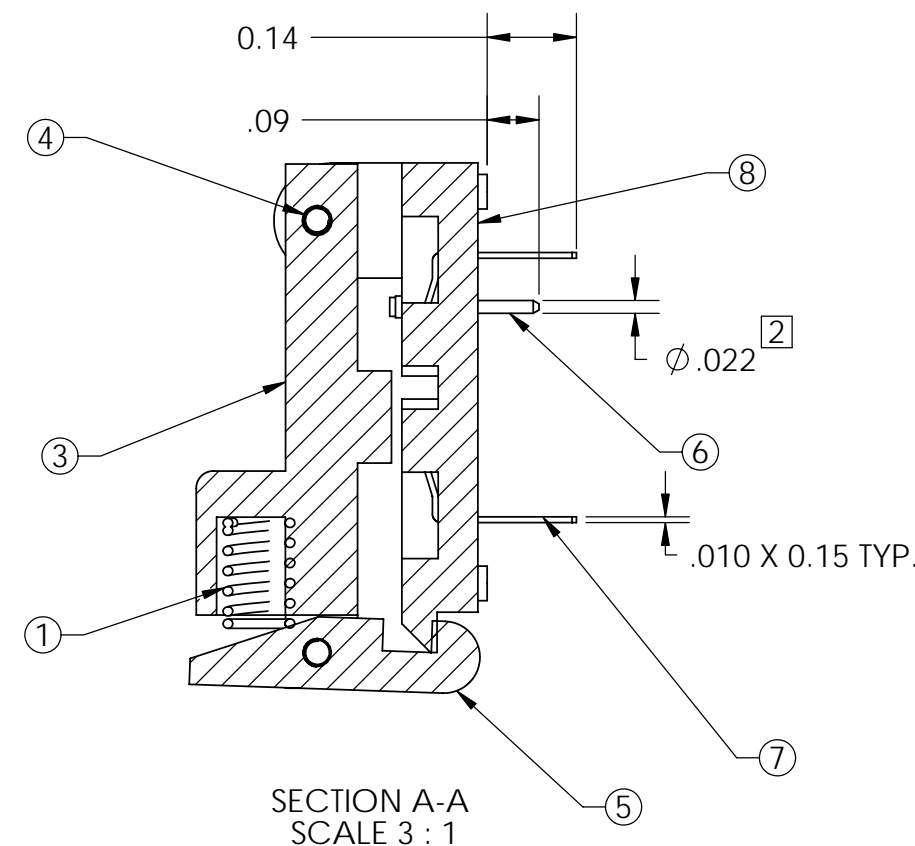
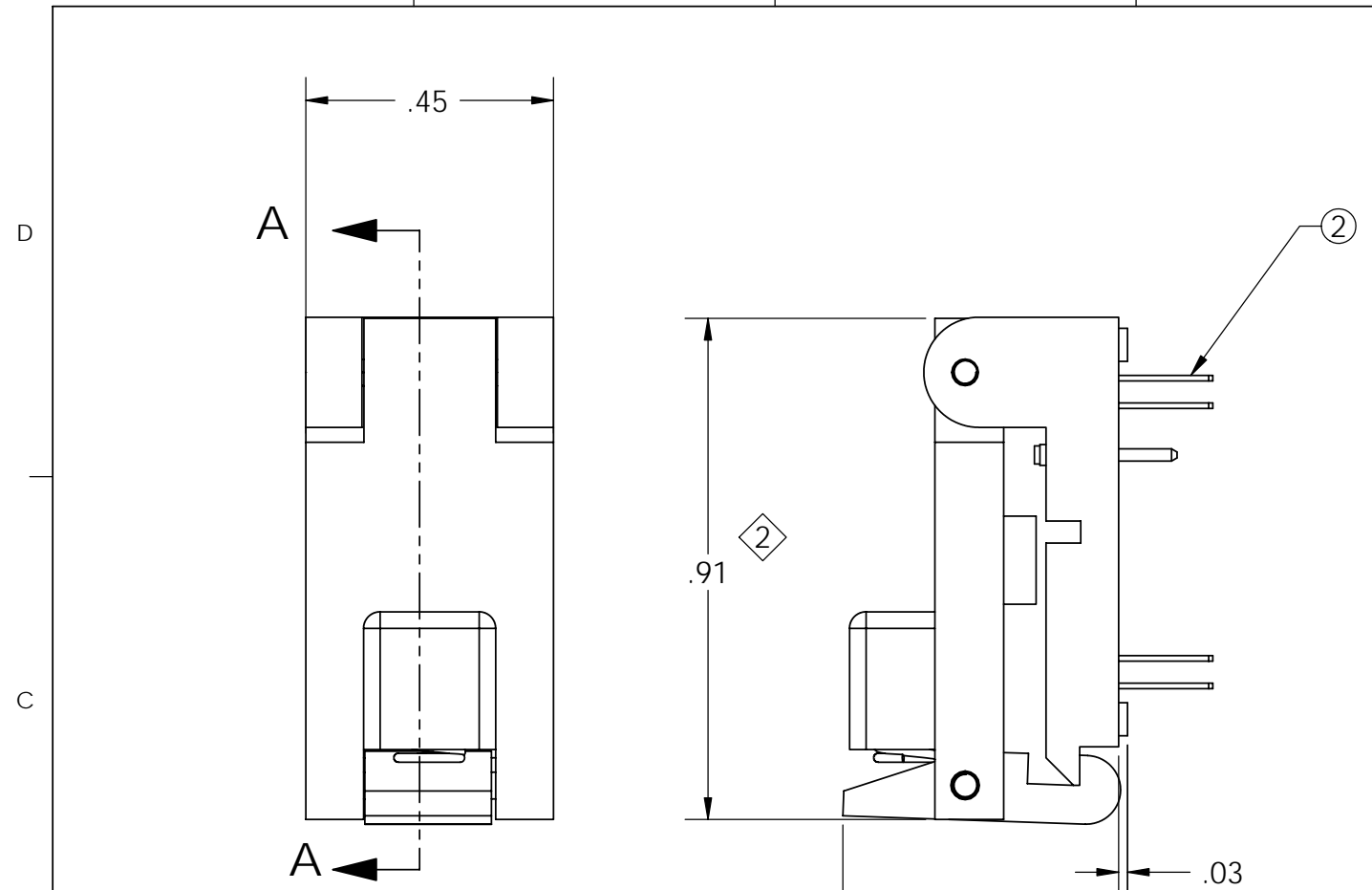


REVISIONS				
REV	ECN	DESCRIPTION	DATE	BY
A	06-0102	RELEASED FOR PRODUCTION	2/10/06	DS



FOOTPRINT
FOOTPRINT SHOWN LOOKING DOWN THRU THE SOCKET

ITEM NO.	PART NUMBER	DESCRIPTION	QTY
8	001-336-60	BASE	1
7	002-053-02	CONTACT	4
6	003-031-01	CONTACT PIN	2
5	001-338-00	LATCH	1
4	099-060-10	SPIRAL PIN	2
3	001-337-23	LID	1
2	002-068-12	CONTACT	2
1	005-017-00	SPRING, COMP., .120IN. O.D., .250IN. LEN.	1

- 2 HOLES FOR MIL-MAX CONTACT PIN
- 1. MATERIAL AND FINISH
BODY, LID, LATCH-PPS, AS MOLDED
CONTACTS - PFINODAL, Au PLATED

LEGEND		THIS DOCUMENT CONTAINS PROPRIETARY INFORMATION THAT IS THE SOLE PROPERTY OF WELLS-CTI. THIS INFORMATION IS TO BE HELD BY ITS RECIPIENT ON A CONFIDENTIAL BASIS, AND IS NOT TO BE DISCLOSED TO OTHERS OR USED WITHOUT WRITTEN CONSENT OF WELLS-CTI. DO NOT SCALE	MATERIAL / FINISH	DRAWN DS	DATE 2/10/06	
◇	CRITICAL		1	CHECKED GR	DATE 2/10/06	
2	TOTAL NO. OF ◇ USED		REFERENCE	ENGINEER DS	DATE 2/10/06	
INTERPRET DRAWING IN ACCORDANCE WITH ASME Y14.5M-1994			PROJECT / SERIES	QUALITY	DATE	
SIZE	PROJECTION	TOLERANCES		MFG. ENGR.	DATE	TITLE SOCKET ASSEMBLY (SOT-23) 6 LEAD DRAWING NUMBER 499-P44-20 SCALE 3:1 CAD NUMBER 499-P44-20.SLDDRW
B		X.XX ± 0.01				REV. A UNITS:in [mm] SHEET 1 OF 1
		X.XXX ± 0.003				
		X.XXXX ± 0.0005				
		ANGLE ± 1°				