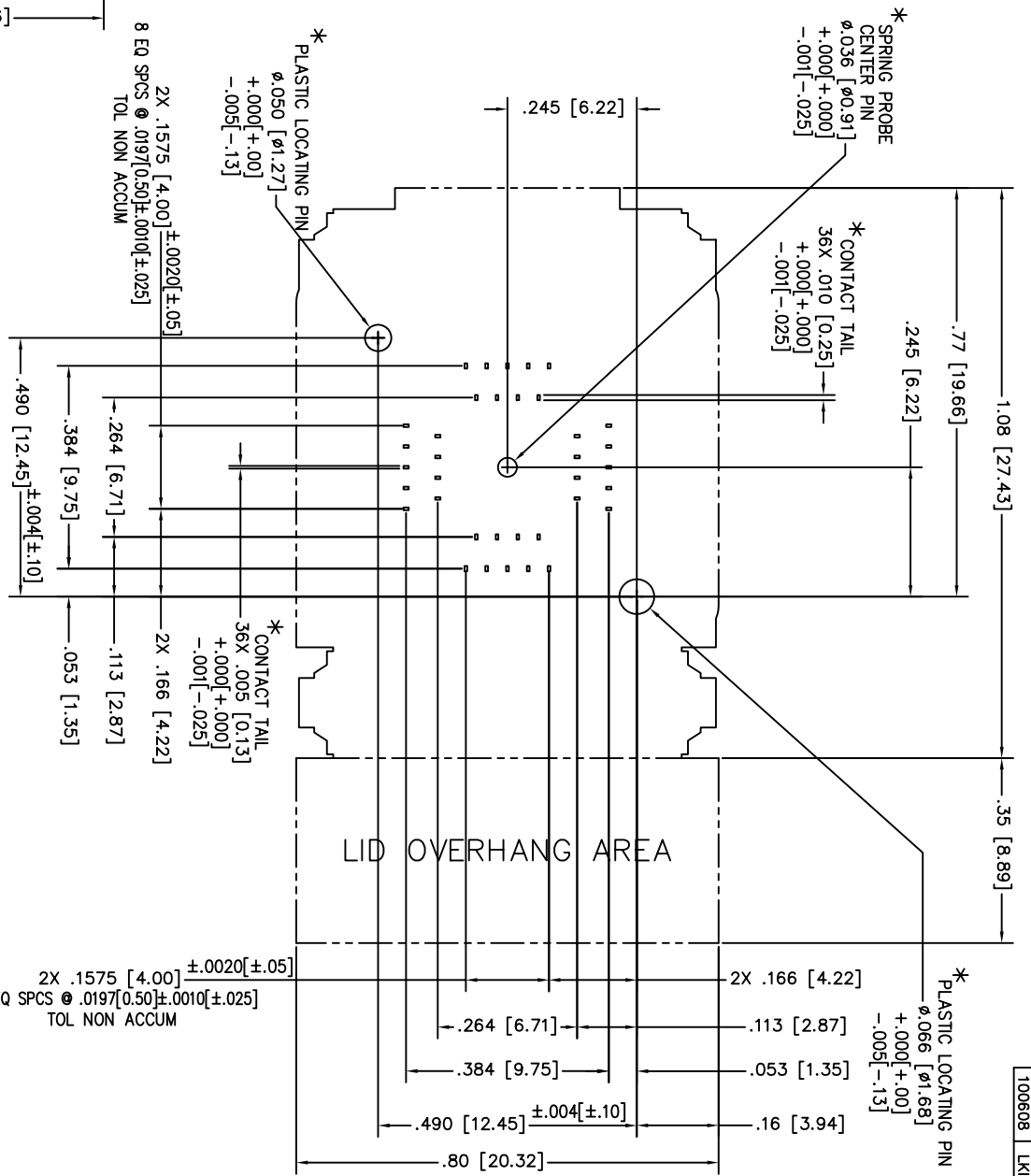
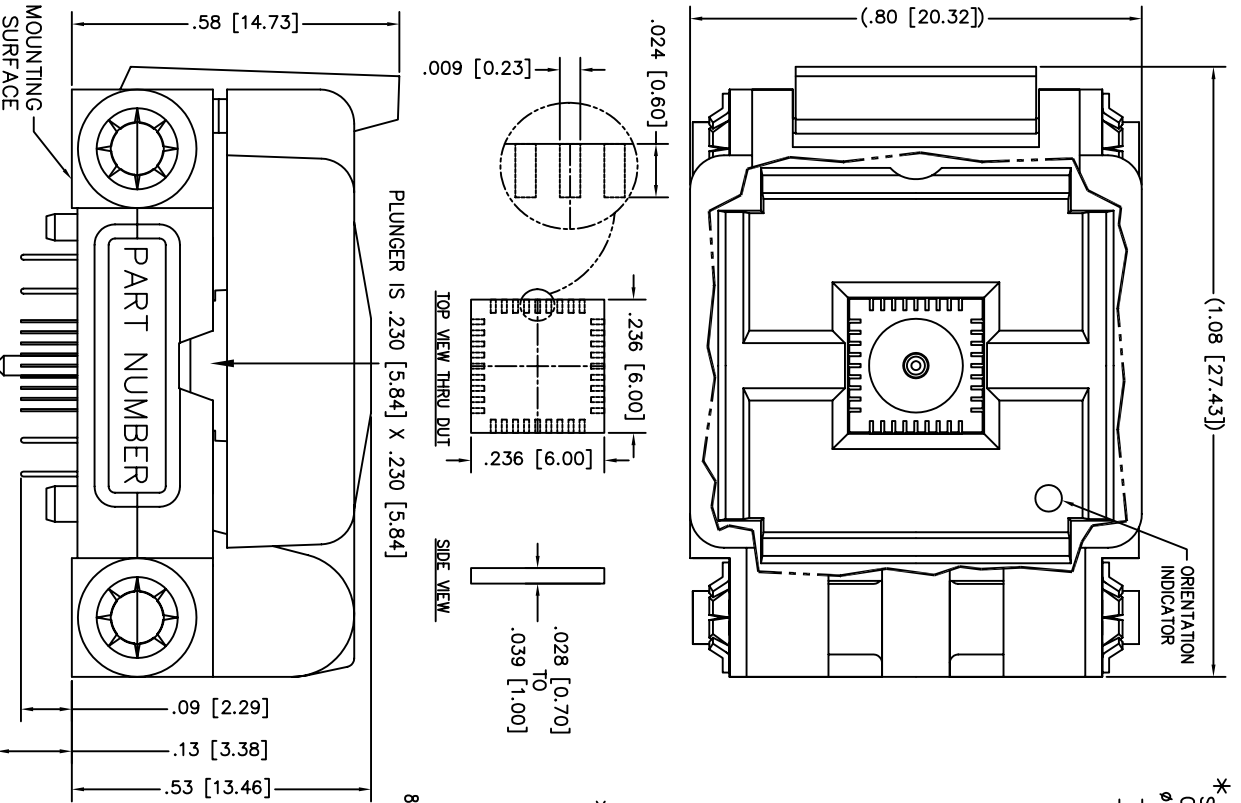


NOTE : * DIMENSIONS OF SOCKET FEATURES SHOWN.
 BOARD DESIGNER SHOULD SELECT APPROPRIATE HOLE
 SIZES TO PROVIDE A SLIP FIT FOR THESE FEATURES.



FOOTPRINT AS VIEWED FROM TOP OF SOCKET

THIS DRAWING IS SUBJECT TO CHANGE WITHOUT
 NOTICE. PLEASE REQUEST A CURRENT DRAWING
 WHEN LAYING OUT BOARDS.

FEATURES—S
 = OFFSET CONTACT
 = SPRING PROBE CENTER PIN

UNLESS OTHERWISE SPECIFIED		X .003 SURFACE	
XX ± .010 FINISH		X .003 SURFACE	
XXX ± .010 FINISH		XX ± .010 FINISH	
ANGLE = 45°		REMOVE ALL BURS AND SHARP EDGES	
ALL DIM ARE IN INCHES		ALL DIM (IN) ARE MILLIMETERS	
HOLE TOLERANCES		HOLE TOLERANCES	
.015 THRU .125 = +.004 - .001		.015 THRU .125 = +.004 - .001	
.126 THRU .250 = +.005 - .001		.126 THRU .250 = +.005 - .001	
.251 THRU .500 = +.006 - .001		.251 THRU .500 = +.006 - .001	
.501 THRU 1.00 = +.010 - .001		.501 THRU 1.00 = +.010 - .001	
1.001 THRU 2.00 = +.012 - .001		1.001 THRU 2.00 = +.012 - .001	
SCALE	NONE	DATE	
DWN	LKI	100608	
CHK			
ENGR			
APP'D			
SIZE	DWG NO.	DATE	INT
C	36QN50S16060	100608	LKI
TITLE	PART NUMBER		
QFN SOCKET; 6 x 6mm, 0.50mm-PITCH; 36 CONTACTS PLUS SPRING PROBE CENTER PIN; THRU-HOLE	36QN50S16060		
		2801 TEXAS DRIVE IRVING, TX 75062	

PROPRIETARY