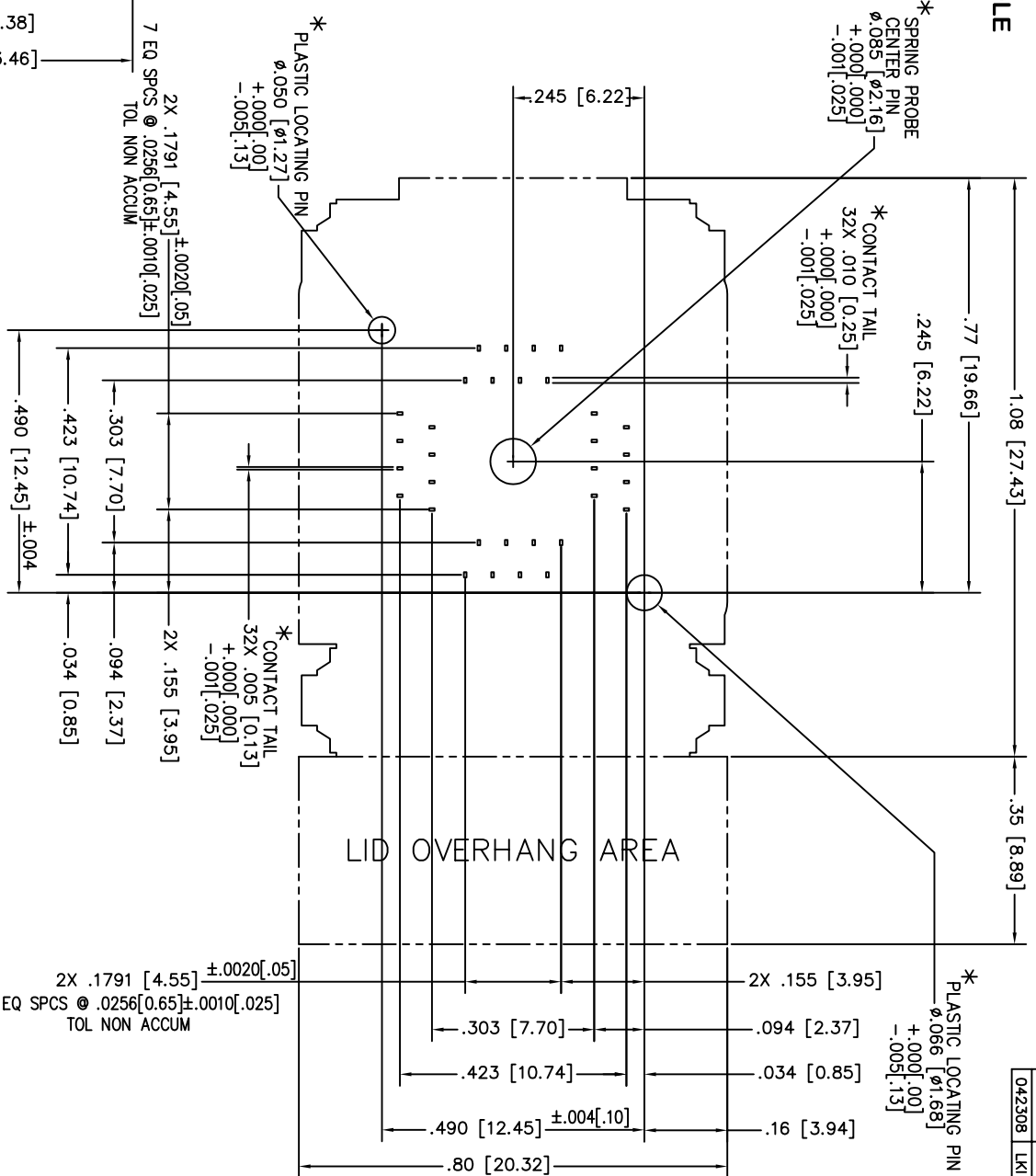
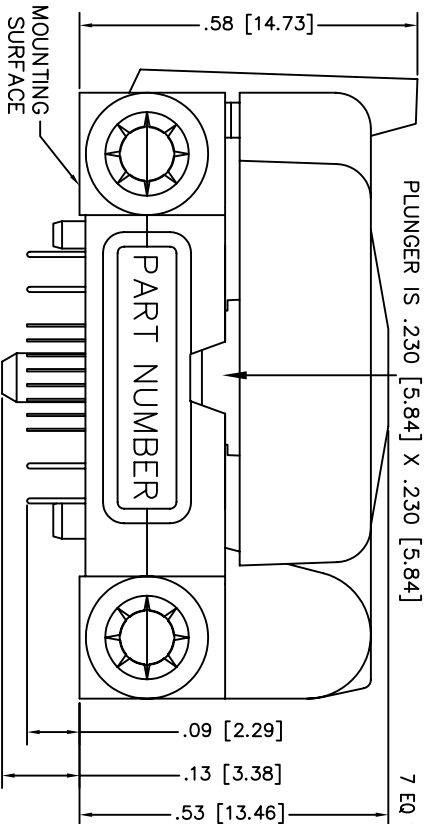
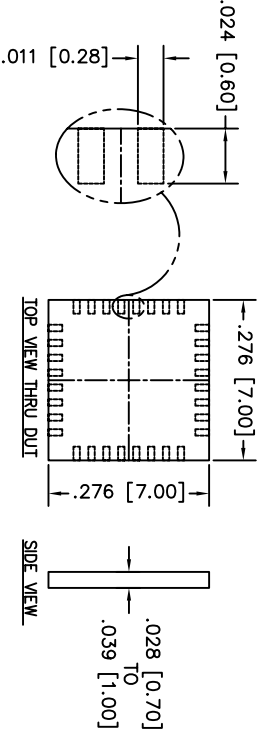
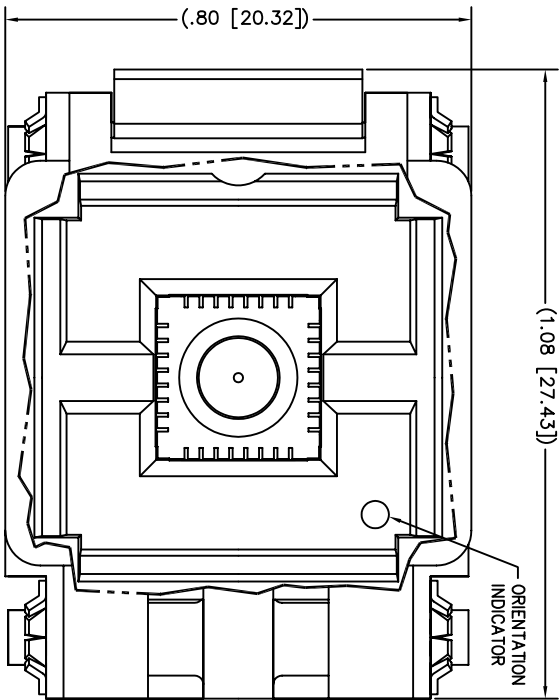


NOTE : * DIMENSIONS OF SOCKET FEATURES SHOWN. BOARD DESIGNER SHOULD SELECT APPROPRIATE HOLE SIZES TO PROVIDE A SLIP FIT FOR THESE FEATURES.



FOOTPRINT AS VIEWED FROM TOP OF SOCKET

PROPRIETARY

PART NUMBER
32QN65517070

SIZE	DWG NO.	SH
C	32QN65517070	1/1

TITLE
QFN SOCKET;
7 x 7mm, 0.65mm-PITCH;
32 CONTACTS PLUS SPRING PROBE
CENTER PIN; THRU-HOLE



DATE	INT
042308	LKI

THIS DRAWING IS SUBJECT TO CHANGE WITHOUT NOTICE. PLEASE REQUEST A CURRENT DRAWING WHEN LAYING OUT BOARDS.

FEATURES = OFFSET CONTACT = SPRING PROBE CENTER PIN

UNLESS OTHERWISE SPECIFIED	XXX = 4.003	SURFACE
ALL DIM ARE IN INCHES	XX = 4.010	REMOVE ALL BURS AND SHARP EDGES
ANGLE = 45	✓	
HOLE TOLERANCES	+ .004 - .001	
126 THRU 250	+ .008 - .001	
251 THRU 500	+ .010 - .001	
751 THRU 1000	+ .012 - .001	

SCALE	NONE	DATE
DWN	LKI	042308
CHK		
ENGR		
APP'D		