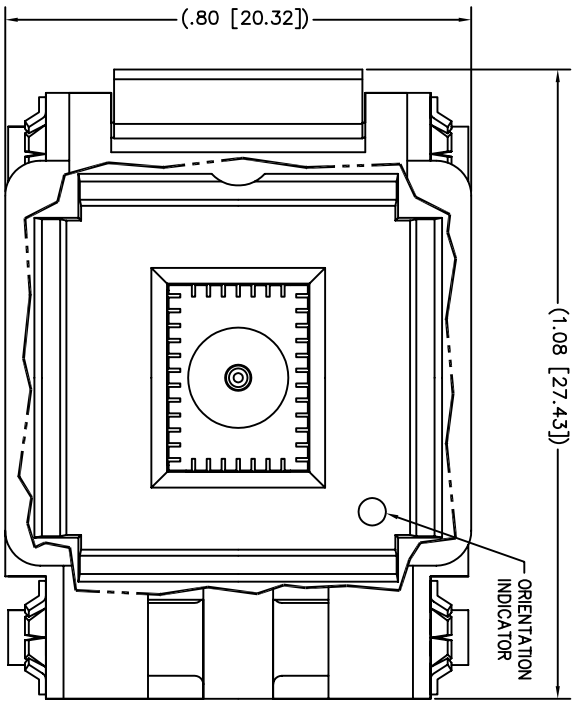
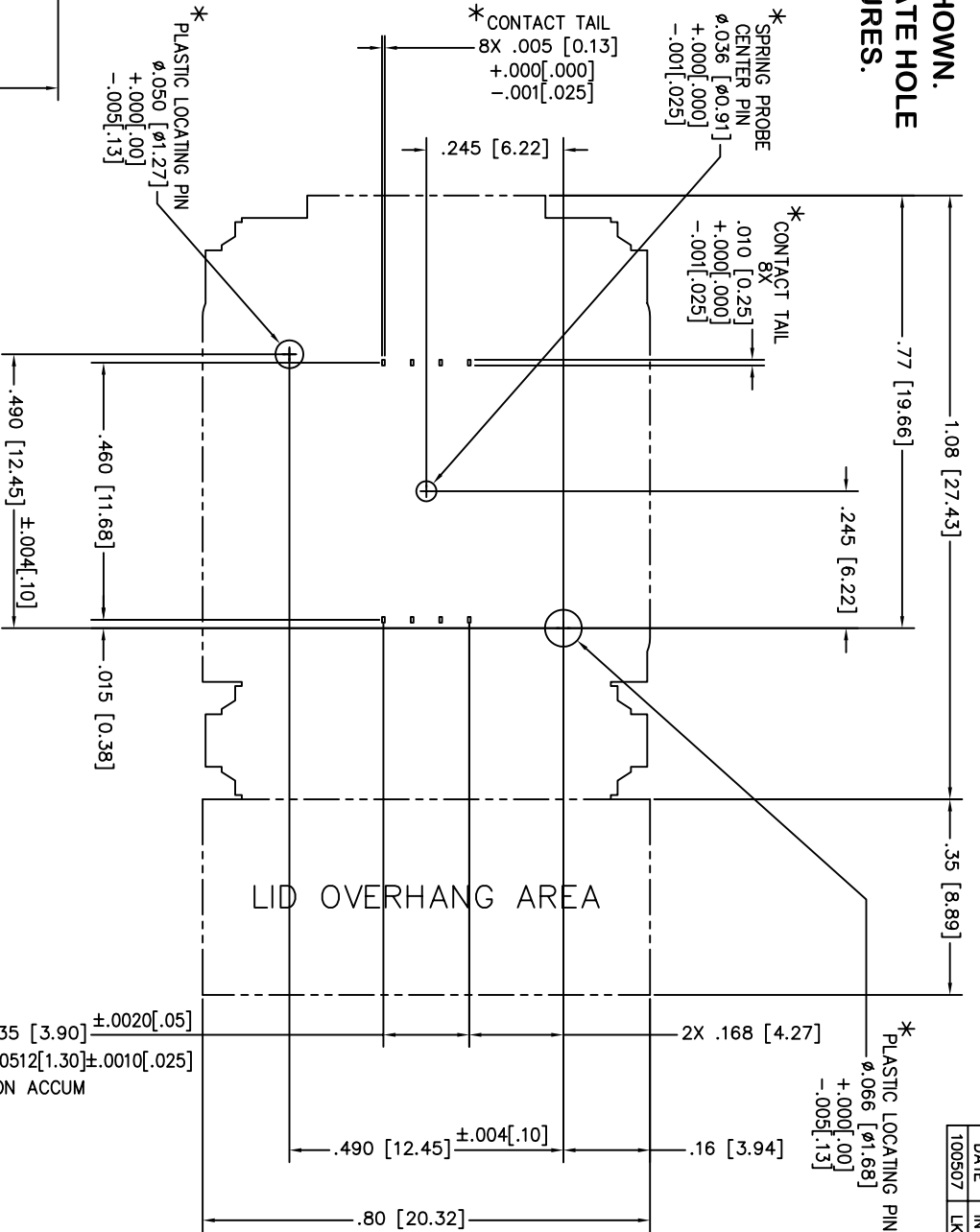
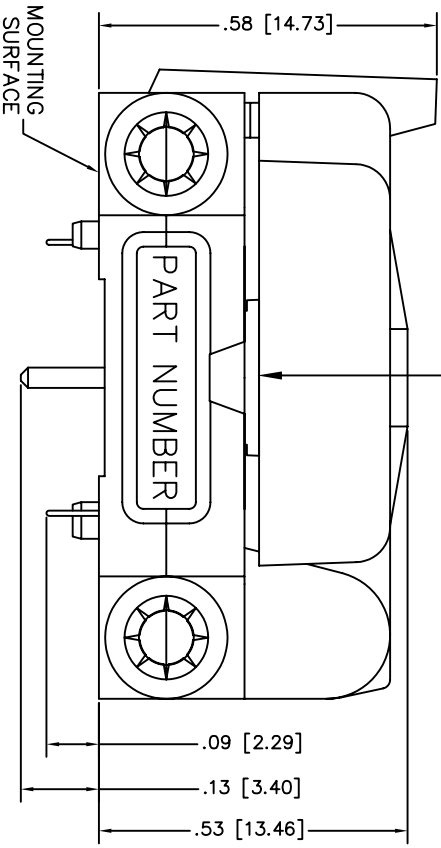


**NOTE : \* DIMENSIONS OF SOCKET FEATURES SHOWN.  
BOARD DESIGNER SHOULD SELECT APPROPRIATE HOLE  
SIZES TO PROVIDE A SLIP FIT FOR THESE FEATURES.**



PLUNGER IS .230 [5.84] X .230 [5.84]  
FOR A .028 [0.70] - .039 [1.00] THICK DEVICE



FOOTPRINT AS VIEWED FROM TOP OF SOCKET

**PROPRIETARY**

DEPOPULATED FROM :  
**38QN65S18060**

PART NUMBER  
**08TN13S18060**

THIS DRAWING IS SUBJECT TO CHANGE WITHOUT  
NOTICE. PLEASE REQUEST A CURRENT DRAWING  
WHEN LAYING OUT BOARDS.

FEATURES - S  
= OFFSET CONTACT  
= SPRING PROBE CENTER PIN

UNLESS OTHERWISE SPECIFIED

XXX = 4.003	SURFACE
XX = 4.010	FINISH
XX = 41	ANGLE
ALL DIM ARE IN INCHES	
ALL DIM (X2) ARE MILLIMETERS	
REMOVE ALL BURS AND	
SHARP EDGES	

SCALE	NONE	DATE
DWN	LKI	100507
CHK		
ENGR		
APP'D		

TITLE	QFN SOCKET; 8 x 6mm, 1.30mm-PITCH; 8 CONTACTS PLUS SPRING PROBE CENTER PIN; THRU-HOLE
SIZE	C
DWG NO.	08TN13S18060
SH	1/1



DATE	INT
100507	LKI